

COB LED Bar Light

User Manual



Bar 9

Please keep this manual for further use

Product Introduction

Thank you using our LED series products. This fixture is the latest new LED product. It has aluminum die-cast housing with nice design, international advanced electronic control technology and excellent industrial design. Product effect more rich, colorful, and color is gorgeous because of installed high output light source.

LED can realize 0-255 brightness adjustment separately by controlled built-in microprocessor which used the high precision of constant current control mode. User can invoke the built-in program, scenario editors and master-slave control mode setting by menu. Also can setting rainbow, flash frequency and electric dimmer effect.

This product has a fast response, seismic, high impact resistance, good heat dissipation, high protection grade, long using life, no radiation, high efficiency and energy saving, how energy consumption, really the green products. Fully accepted international standard DMX512 signal.

This product can be widely used for the large fixed stage, lighting background dyeing, large-scale theatrical performances, stadium lighting, temporary stage, urban lighting system, TV, conference center, professional theatre, park, dance hall, bars, small artistic performances and public lighting environment.

Packing Include

Please check if the following parts are included:

- 1 x LED light
- 1 x Power cable
- 1 x User manual

Caution

Before delivery, this device has passed strict inspection with good quality and perfect packing, please follow the user manual for correct installation and operation, damage caused by the disregard of this user manual are not subject to warranty. The dealer will not accept liability for any resulting defects or problems. and we won't inform in case of further technical changes .

CAUTION!



Keep this device away from rain and moisture!




Unplug mains lead before opening the housing!




Warning!

Damages caused by the disregard of this user manual are not subject to warranty. The dealer will not accept liability for any resulting defects or problems.

1. Safety Instructions

- Please open and check whether break or not for transport once receipt this fixture, if yes, not use it and contact dealer or manufacture as soon as possible.
- The Max Ambient temperature for the light is 40°C. Do not use the light when the ambient temperature is over 40 °C
- The fixture is applicable for many occasions, it should keep clean, and avoid long use in overheating or dusty environment. prevent the fixture from the chemical liquid .
- User must be careful of fire, heat, electric and fall-off that make heavy or fatal injury. Please read this user manual carefully before power on and installation, following safety and operation instruction in it. If still have any questions, please contact dealer or manufacture.
- User must follow this user manual, do not open fixture by yourself, in case of any problems, please contact technician for repair.
- Fix the installation to avoid shack.
- Don't power on or start the fixture before installation, please stop after working more than 8 hours to extend the lifespan of the light
- The minimum distance between light and the illuminated surface must be 0.5 meter. 
- Never look directly into the light source to avoid hurt to eyes (especially epileptics)!
- When dustproof glass at light output breaks, cracks or other visible damage, user should replace with new glass to continue to use.

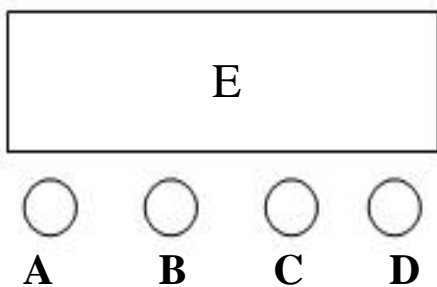
2. Installation

- When install this equipment please make sure there's no flammable surfaces (decorated things, etc) and minimum distance of 0.5M from the equipment to the flammable. 
- The installation has to be built and constructed in a proper way that the rigging can hold 10 times of the light weight .

3. Specifications:

- 18.89-inch (48 cm) indoor Linear Bar with 9 x 8W Ultra bright HEX LEDs
- Variable RGBW color mixing offers a seemingly unlimited color palette - Great for Stage or Wall Washing!
- 3 DMX Channel Modes: 9,14 or 36 channels
- 5 operational modes: Auto (Program Run), Sound Active, RGB Dimmer, Static Color and DMX-512 Mode
- Pixel control
- Beam Angle: 25 degrees
- Flicker Free
- 4-Button DMX LED Display
- 14 built-in Color Macros
- LED pulse & strobe effect
- Electronic Dimming: 0-100%
- Includes mounting brackets to mount on a wall or set on the ground
- Long Life LEDs (Rated at approximately 50,000 hrs.)
- Power Draw: 100W
- Linkable: DMX via 3-pin XLR cable; Power via powerCon daisy-chain power link (Up to 10 Ultra Bar 9 fixtures)
- Multi-voltage operation: AC 100V-240V 50/60Hz
- Dimensions (LxWxH): 18.89" x 2.55" x 3.2"/ 480 x 65 x 82mm
- Weight: 6lbs./2.6kg.

4. LED display instruction



- A. Function button (MENU)
- B. UP button (UP)
- C. DOWN button (DOWN)
- D. Enter button (ENTER)
- E. LED display

5. LED display instruction chart

	MENU	UP/DOWN	Default data	Function
1	A001	001-512	A001	Address setting
2	9CH/14CH/36CH	9CH	9CH	9CH
		14CH	14CH	14CH Mode 1
		36CH	36CH	36CH Mode 2
3	CC00	CC01~CC99	CC00	Color change and speed
4	Ed00	Ed00~Ed99	ED00	Color fade and speed
5	Er00	Er00~Er99	Er50	Color changing and running effect
	Po00		Po50	Color fading and running effect
	└r01	└r01~└r14		Built-in 14 kinds running program
	└u00	└u00~└u99		Speed of └r01~└r14
	BE00	BE00~BE99	BE50	Sound control mode and speed
	R000	0-255	000	Red bright from weak to strong
4	G000	0-255	000	Green bright from weak to strong
5	B000	0-255	000	Blue bright from weak to strong
6	W000	0-255	000	White bright from weak to strong
7	ID00	ID		01---14 , (For Happy Valley effect, can achieve more than one lamp flow)
8	OPRT	0°C-120°C		LED temperature display(when it arrives at 50° ,it will open to adjust temperature

6. DMX512 chart

9CH Mode 1

Dimming 1	0---255	Linear dimming from dim to bright
Strobe 2	0	The whole bright
	1---255	Strobe
Built-in program 3	0---25	No function
	26---35	No function
	36---45	Colorful hopping
	46---55	Colorful gradient, pulse change
	56---65	Select color: (controlled by 1 channel)
	66--75	Jump: (controlled by 1 channel)
	76---85	Gradient: (controlled by 1 channel)
	86---95	Running effect: (by 1 - 6 channel control)
	116--125	Running effect: (by 1 - 6 channel control)

	236-245	Running effect: (by 1 - 6 channel control)15
246--255	Sound control: (by 1 - 6 channel control)	
Speed 4	6---255	Running effect: (by 1 - 6 channel control)1
Features 5	0---255	Program speed adjustment
Red 6	0---255	Red dimming
Green 7	0---255	Green dimming
Blue 8	0---255	Blue dimming
White 9	0---255	White dimming

14CH Mode 2

Dimming 1	0---255	Linear dimming from dim to bright
Strobe 2	0	The whole bright
	1---255	Strobe
Built-in program 3	0---25	No function
	26---35	No function
	36---45	Colorful hopping
	46---55	Colorful gradient, pulse change
	56---65	Select color: (controlled by 1 channel)
	66--75	Jump: (controlled by 1 channel)
	76---85	Gradient: (controlled by 1 channel)
	86---95	Running effect: (by 1 - 6 channel control)1
	116--125	Running effect: (by 1 - 6 channel control)2

	236-245	Running effect: (by 1 - 6 channel control)15
246--255	Sound control: (by 1 - 6 channel control)	
Speed 4	6---255	Running effect: (by 1 - 6 channel control)1
Features 5	0---255	Program speed adjustment
CH6	0---255	R, G ,B . W dimming 1

Bar 9 COB LED Wash Light

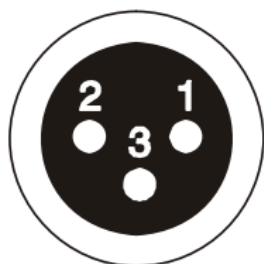
CH7	0---255	R, G ,B . W dimming 2
CH 8	0---255	R, G ,B . W dimming 3
CH9	0---255	R, G ,B . W dimming 4
.....
CH14	0---255	R, G ,B . W dimming 18

36CH Mode 3

Red 1	0---255	Red dimming 1
Green2	0---255	Green dimming 1
Blue 3	0---255	Blue dimming 1
White 4	0---255	White dimming 1
Red 5	0---255	Red dimming 2
Green 6	0---255	Green dimming 2
Blue 7	0---255	Blue dimming 2
White 8	0---255	White dimming
.
.		
White 36	0---255	White dimming 36

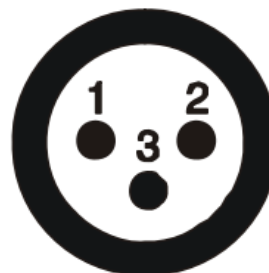
7. DMX-512 controller connection

3pins XLR signal output connector
(female)



1: earth

3pins XLR signal input connector
(male)



2 : signal -

3 : signal +

8. DMX address setting

Set an address for each light, and accept the DMX signal from DMX controller, as per the demand, user can set the same address for all lights, or different address for different light.

If set several light with the same DMX starting address, all lights will accept the same DMX signal from DMX controller and work synchronously.

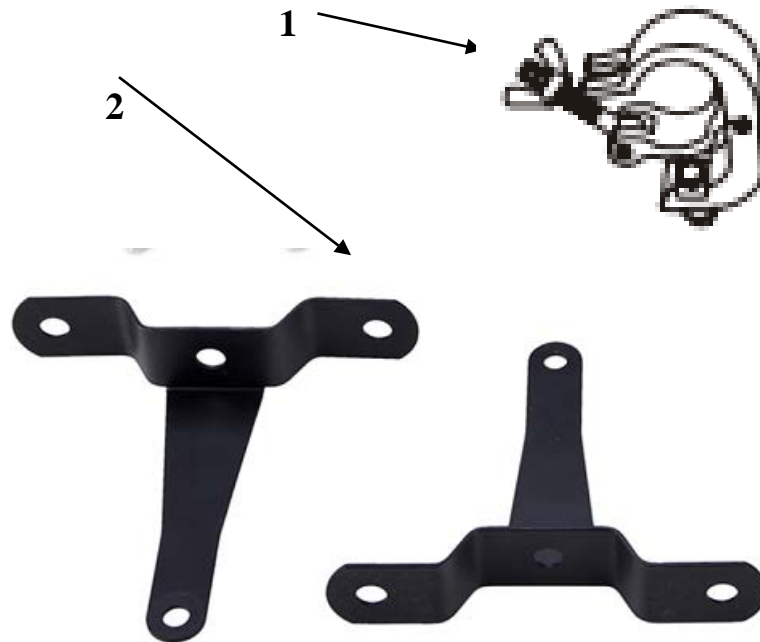
If set different address for each light, the light will accept signal from the DMX controller as per the DMX starting address, if use this way, user must set the DMX starting address for the light according to channel quantity of each light.

This light has 3 DMX modes: 9/14/36 channels, when use 9-channel mode, the 1st light has starting address 1, the 2nd light has starting address 10 ($1 \cdot 9 + 1$), the 3rd light has starting address 19 ($2 \cdot 9 + 1$),...; when use 14 channel mode, the 1st light has starting address 1, the 2nd light has starting address 15 ($2 \cdot 14 + 1$), the 3rd light has starting address 30 ($3 \cdot 14 + 1$).....and so on

9. Rigging and installation

1. Hook clamp

2. Handle



1. The light can work properly when the ambient temperature is -25~40 °C, the ambient temperature is over 40 °C under -25 °C.
2. The installation has to be built and constructed in a proper way that the rigging can hold 10 times of the light weight .
3. Don't stand under the light when installing, disassembling, repairing or maintaining the light.
4. Please use safety chain to ensure good installation.
5. Fix the M8 screw of the hook clamp in \varnothing 12.5mm hole of the light handle.

10.Cleaning and maintenance

Maintenance should be performed every 15-day period, by using a sponge which is dipped with alcohol, rather than wet cloth or other chemical liquid, to clean the mirror.

Always disconnect from the mains when the device is not in use or before cleaning it.



Caution

Make sure power off before cleaning and maintenance!

11.Attention

Do not look into light source directly when turn on the light, and make sure power off before do any installation or maintenance.



Warning!

Never look directly into the light source to avoid hurt to eyes(especially meant for epileptics)!



Warning!

Any power connection can be done only by technician !

Warranty Card

We provide 1 year warranty under the condition that user has operated the light normally and lifetime service. We won't provide warranty if the damage is caused by artificial or force majeure event. Cost of fittings should be charged by user if product need maintenance after 1 year .Please cut this warranty card and shipped it along with the product to our factory when applying for warranty.

Product:

Purchasing date:

Code of invoice:

Warranty date: From

To

User's name:

Add:

Company:

Tel:

